



**SPIERINGS
KRANEN**

Mark: **SPIERINGS** Typ: **SK365-AT3**

Crane identification

Serial number:

Year of construction:

Crane group : 3 as per NEN 2018
 Loadspectrum: 2 as per NEN 2018
 Classification : A as per NEN 2018
 Stability : as per NEN 2022

Identification-
number

57 tm

Max. load

5,0 tonne

Max.radius
with max. load

12,1 m

Max. capacity

60 tm

Max. jib lenght

30,4 m

Speeds

Jib horizontal / jib 30° luffed



m/min	kg
15	5000
22	2500
30	1700
50	0



0 - 50 m/min



0 - 1,3 rpm

All motions with hydraulic proportinal controls
 Luffing the Jib 30° can be controlled from crane cab or via remote control
 Driving with erected tower and jib, only with the jib horizontal and positioned over the front carriage, platform locked to the carrier and the outriggers fully extended (max. inclination 2°)
 Rated lifting capacity is net capacity
 Crane equipped with full counterweight: 7080 kg
 360° continuous slewing, with outriggers out and down
 2 Outriggers positons: 6,90 x 5,80 m
 6,90 x 4,20 m

Operation allowed up to a windforce of 8 on the Beaufortscale. (wind speed 20 m/sec.)

Sail area of the load max. 1,0 m² / tonne at a windforce of 8 on the Beaufortscale.

Operating temperature range from -15° to 40° C.

In all cases 2 parts of line

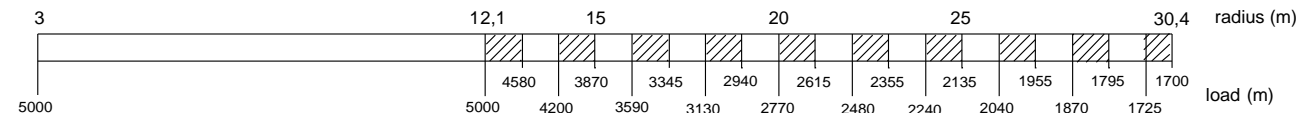
Max. line pull force 2500 kg

The crane should be folded in at a windforce >9 (21m/sec) or when not in use for a longer period

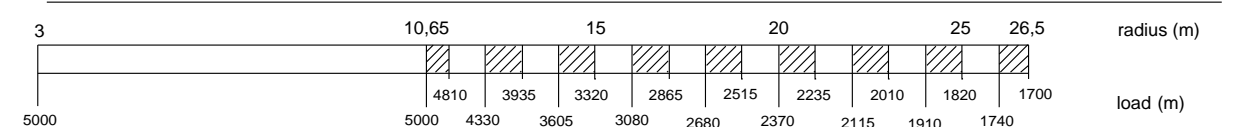
LIFTING CHART Outrigger spread 6,90 m x 5,80 m

Jib horizontal

Hookheight 19 m (height under jib 20,8 m)



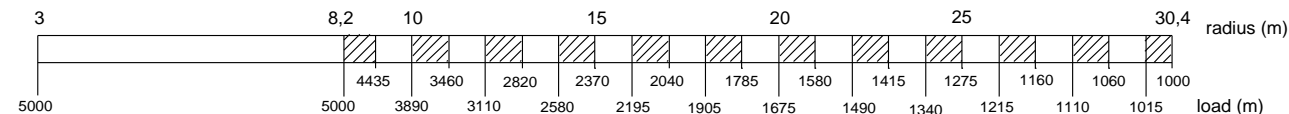
Jib 30° luffed



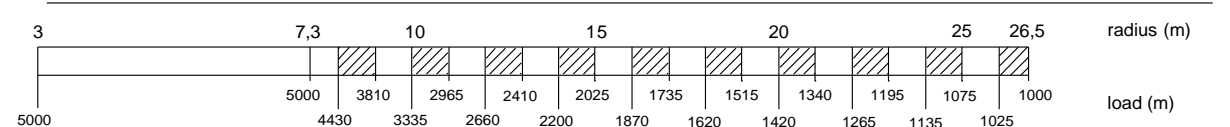
LIFTING CHART Outrigger spread 6,90 m x 4,20 m

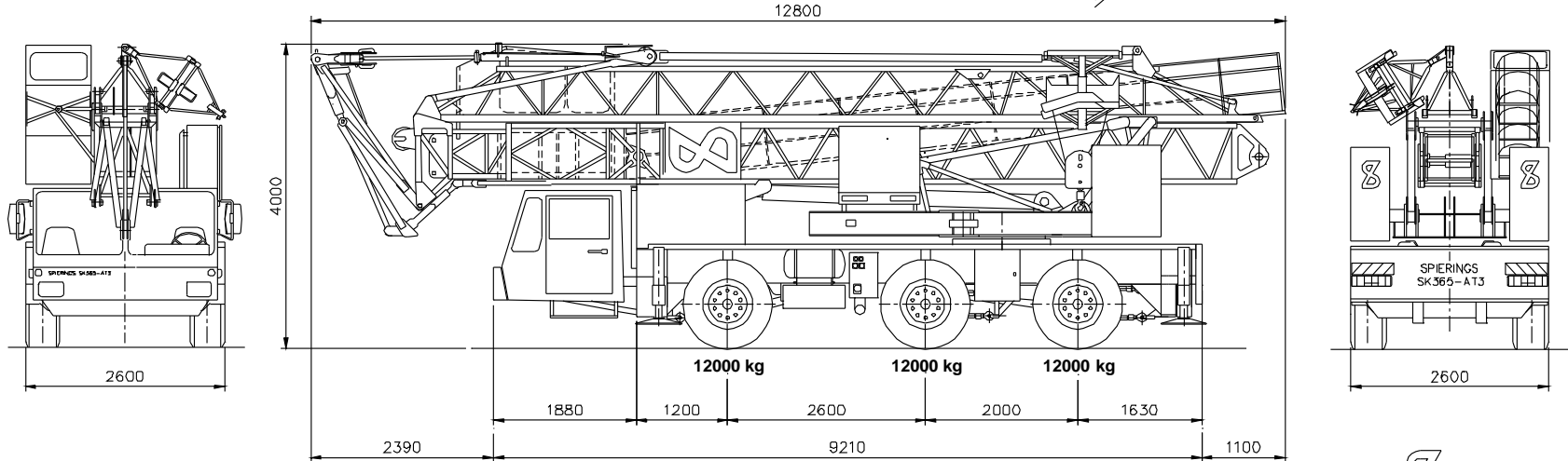
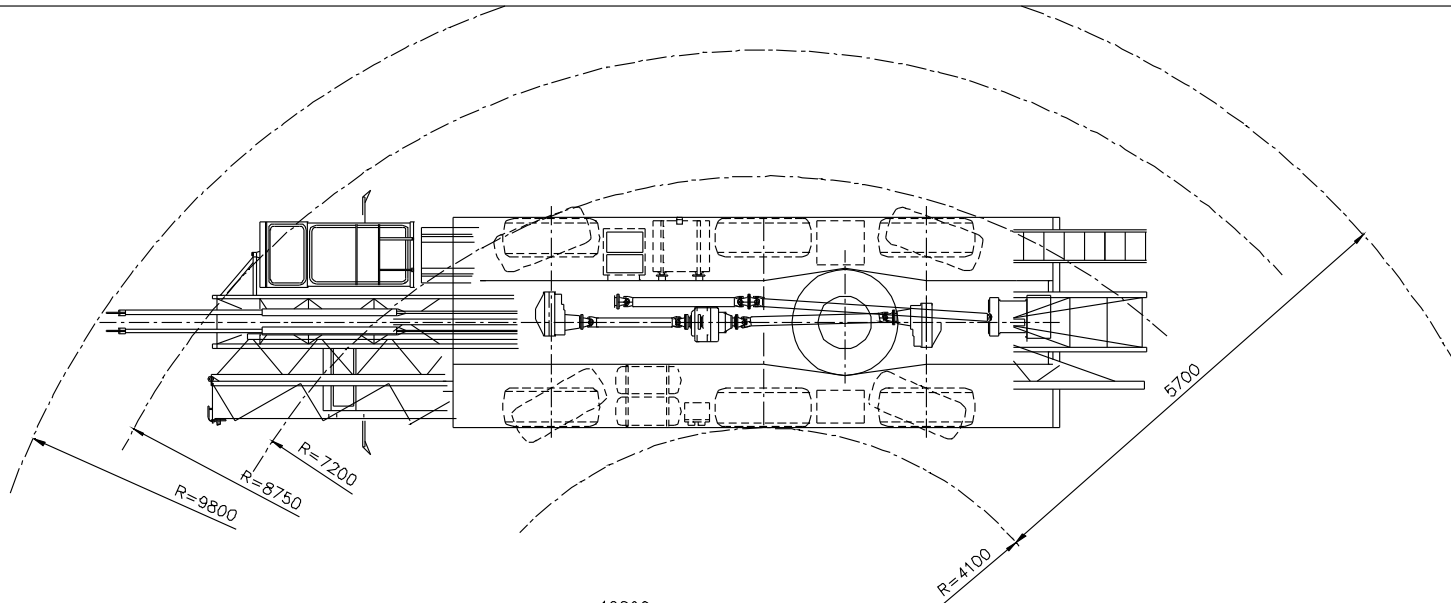
Jib horizontal

Hookheight 19 m (height under jib 20,8 m)



Jib 30° luffed





SPIERINGS HYDRAULIC FOLDING CRANE

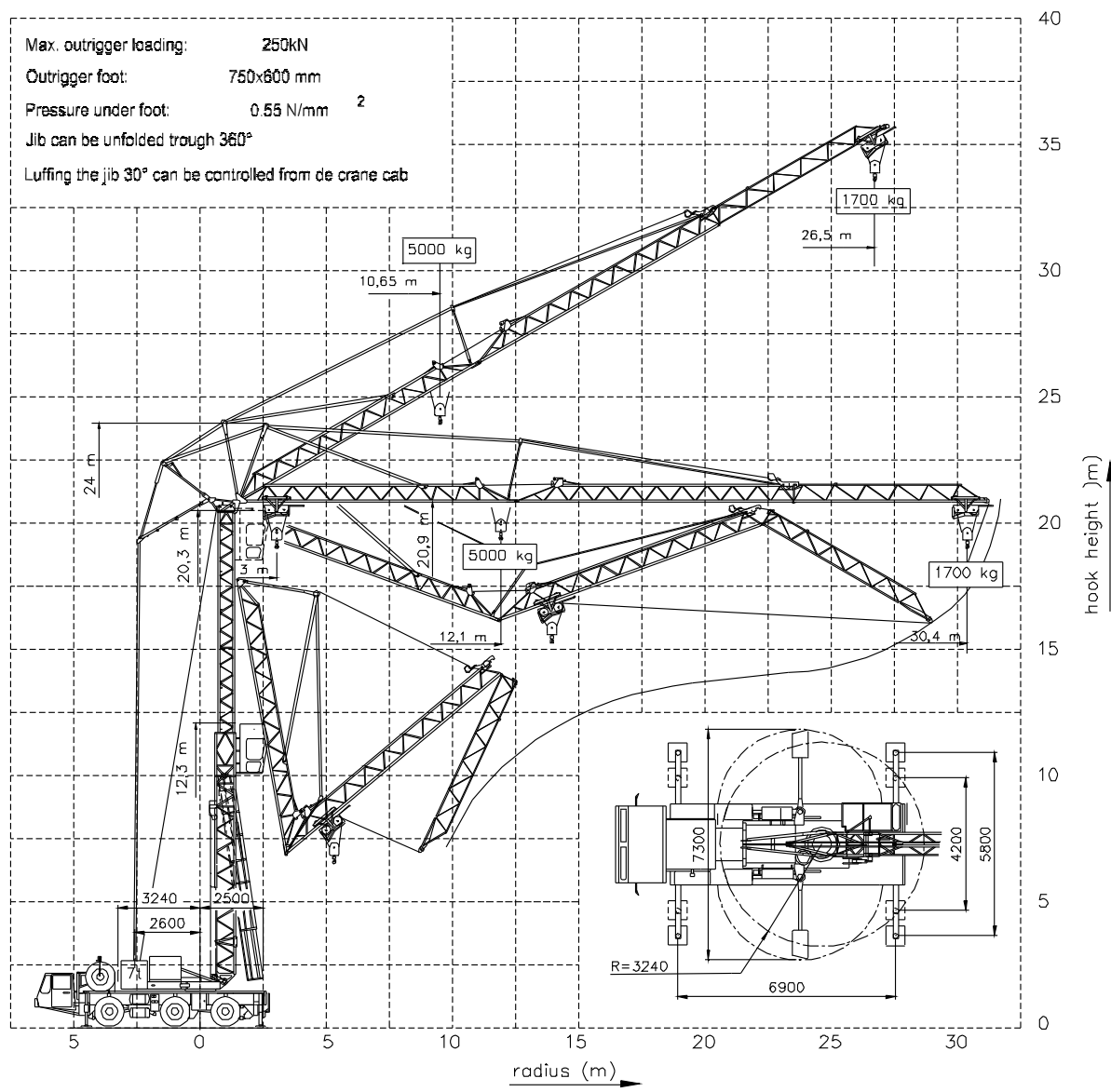
SK 365 - AT3

Total weight: 36000 kg


SPIERINGS
KRANEN bv
 Merwedestraat 15
 5347 KZ Oss NL
 Tel. 0412-626964
 Fax 0412-645299

Max. outrigger loading: 250kN
 Outrigger foot: 750x600 mm
 Pressure under foot: 0.55 N/mm²
 Jib can be unfolded trough 360°
 Luffing the jib 30° can be controlled from de crane cab

SPIERINGS HYDRAULIC FOLDING CRANE SK 365 - AT3

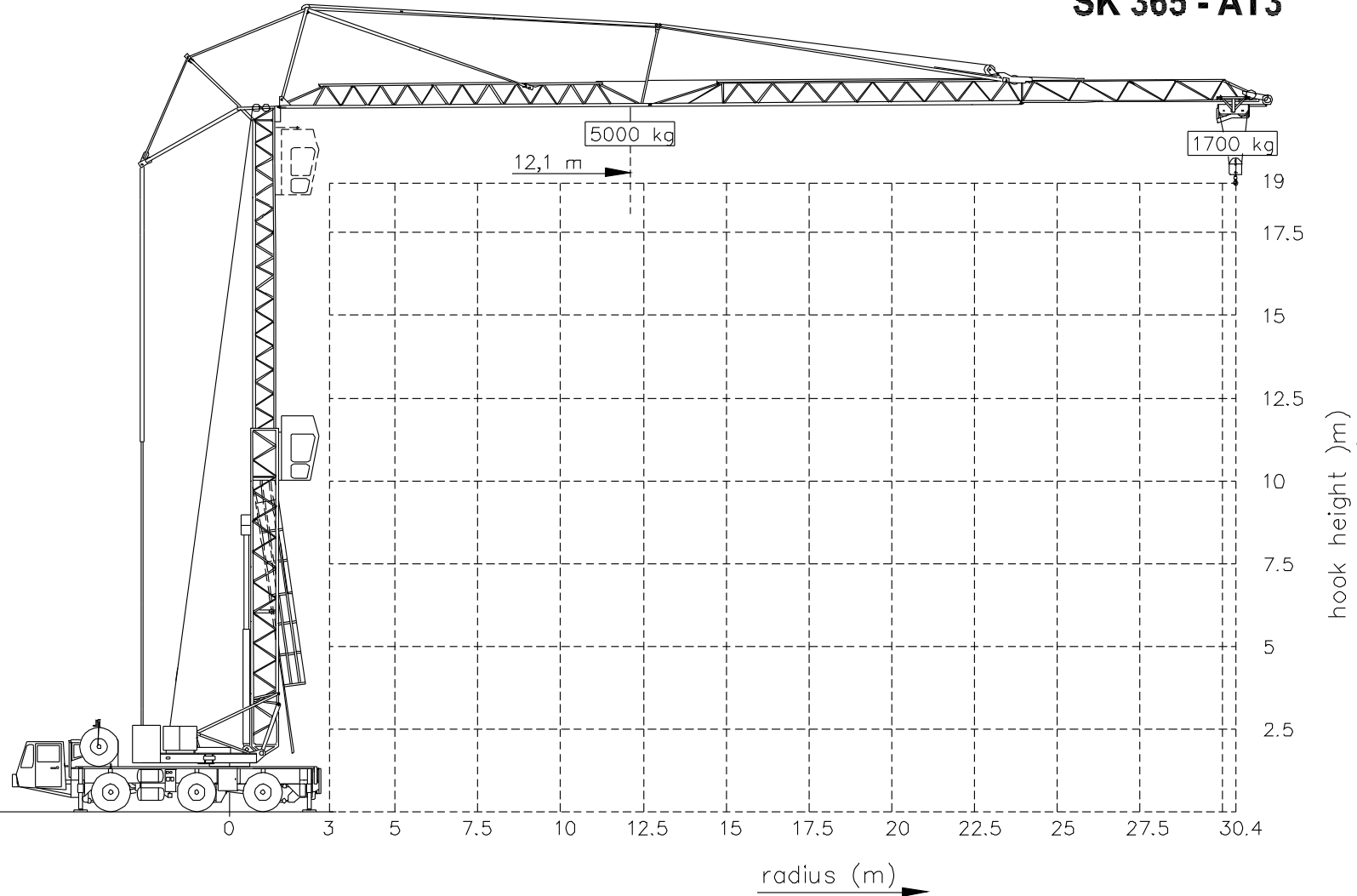


Changes subject to modifications

**SPIERINGS
 KRANEN** bv
 Merwedestraat 15
 5347 KZ Oss NL
 Tel. 0412-626964
 Fax 0412-645299



SPIERINGS HYDRAULIC FOLDING CRANE SK 365 - AT3

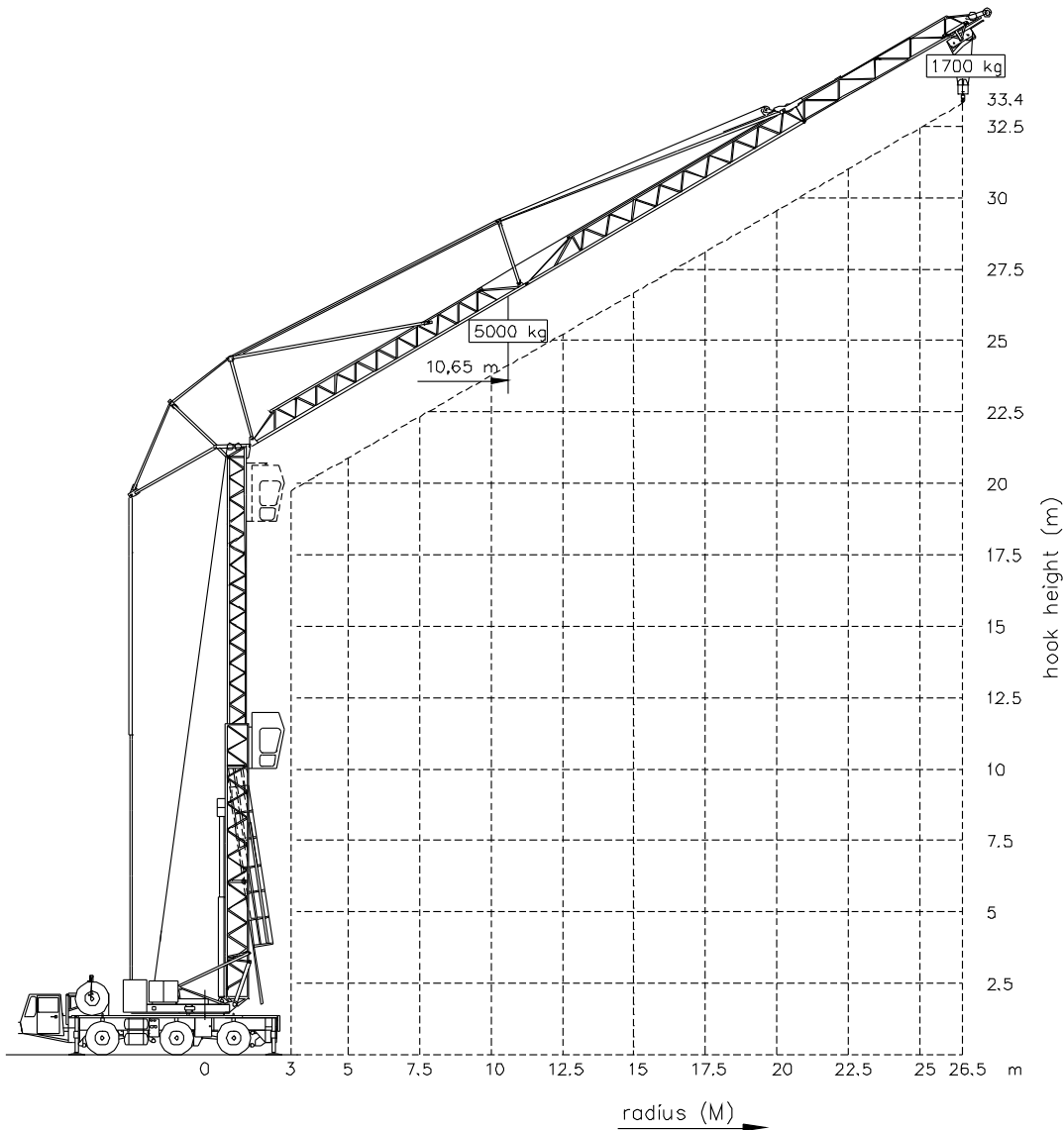


Changes subject to modifications

**SPIERINGS
KRANEN bv**
Merwedestraat 15
5347 KZ Oss NL
Tel. 0412-626964
Fax 0412-645299

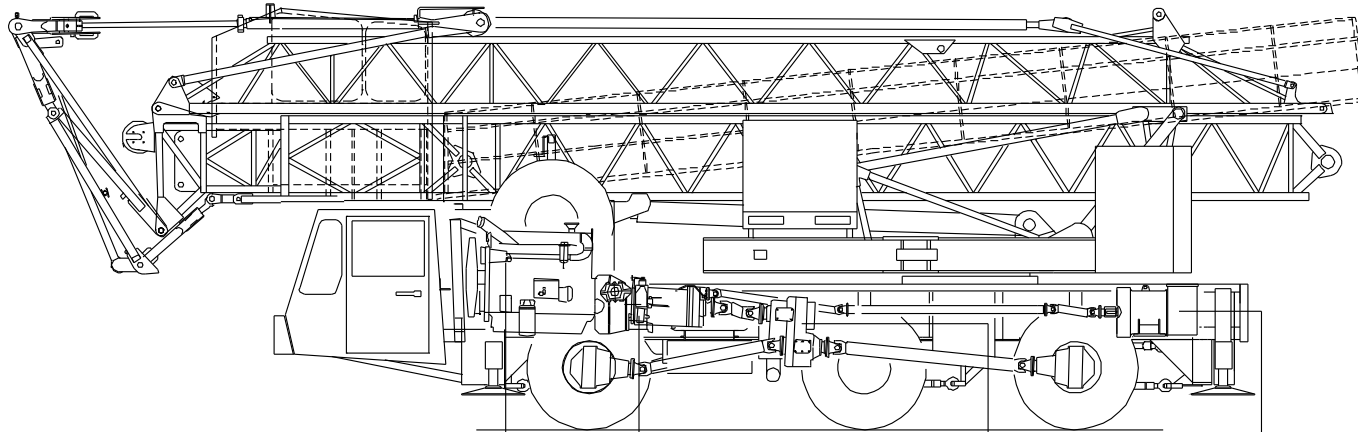


SPIERINGS
HYDRAULIC FOLDING CRANE
SK 365 - AT3



SPIERINGS
KRANEN bv
Merwedestraat 15
5347 KZ Oss NL
Tel. 0412-626964
Fax 0412-645299

Drive train SPIERINGS SK365-AT3



Motor:
DAF RS 222 L (8,65 ltr.)
Power: 222 Kw (2300 rpm)
Torque: 1130 Nm (1400 rpm)

Axle 1

Gearbox ZF 9S109
Manually operated with air power ass.
+ dry plate clutch

Axle 2

Axle 3

Transfer case;
STEYR VG1600/300
Road gear $i=1:0,89$
Off-road gear $i=1:1,54$

Generator;
LSA 44.1M3 - 75kVA

Axles 1 and 3 : GINAF axle with DAF differential and DAF end reduction

Axle 2 : GINAF axle, not driven

Suspension: hydro-pneumatic on all axles, stroke ram 160 mm

Max. speed carrier : 80 km/h

Min speed carrier (diesel engine 1000 rpm) : 1,7 km/h

SPIERINGS FOLDING CRANE
Type SK365-AT3



Merwedestraat 15
5347 KZ Oss NL
Tel. 0412-626964
Fax 0412-645299