

DIECI



www.dieci.com

Dieci S.r.l. - Via E. Majorana, 2-4 - Montecchio Emilia (RE) ITALY
Tel. +39 0522 869611 - Fax +39 0522 869798 - E-mail: info@dieci.com



25.6

APOLLO

PERFORMANCE	
Maximum capacity (kg)	2.500
Maximum lifting height (m)	5,78
Maximum horizontal outreach (m)	3,25
Outreach at maximum height (m)	0,67
Fork swivelling angle	129°
Pull-out force (daN)	7.600
Towing force (daN)	4.400
Gradeability	40 %
Total weight empty (kg)	4.800
Max speed (km/h)	26 *

* = referred to wheels with maximum admitted diameter

ENGINE	
Model:	YANMAR
Maximum power kW (hp):	53,7 (73)
Revolutions per minute (rpm):	2500
Operation:	4 stroke diesel
Injection:	Electronic direct
Number and arrangement of cylinders:	4, vertical in line
Engine size (cm ³):	3319
Specific consumption at 2500 rpm (g/kWh):	254
Anti-pollution regulation:	Stage 3A
	Turbo compressor
	Liquid cooling system

DIMENSIONS	
A/A*	270/320*
B	985
C	2350
D	765
E/E*	3535/3585*
F	4100
G	860
H/H*	1935/1985*
I	1500
L	1840
M	4540
N	1460
O	3555

Measurements expressed in millimetres

A* - E* - H* = Measurements referring to optional wheels

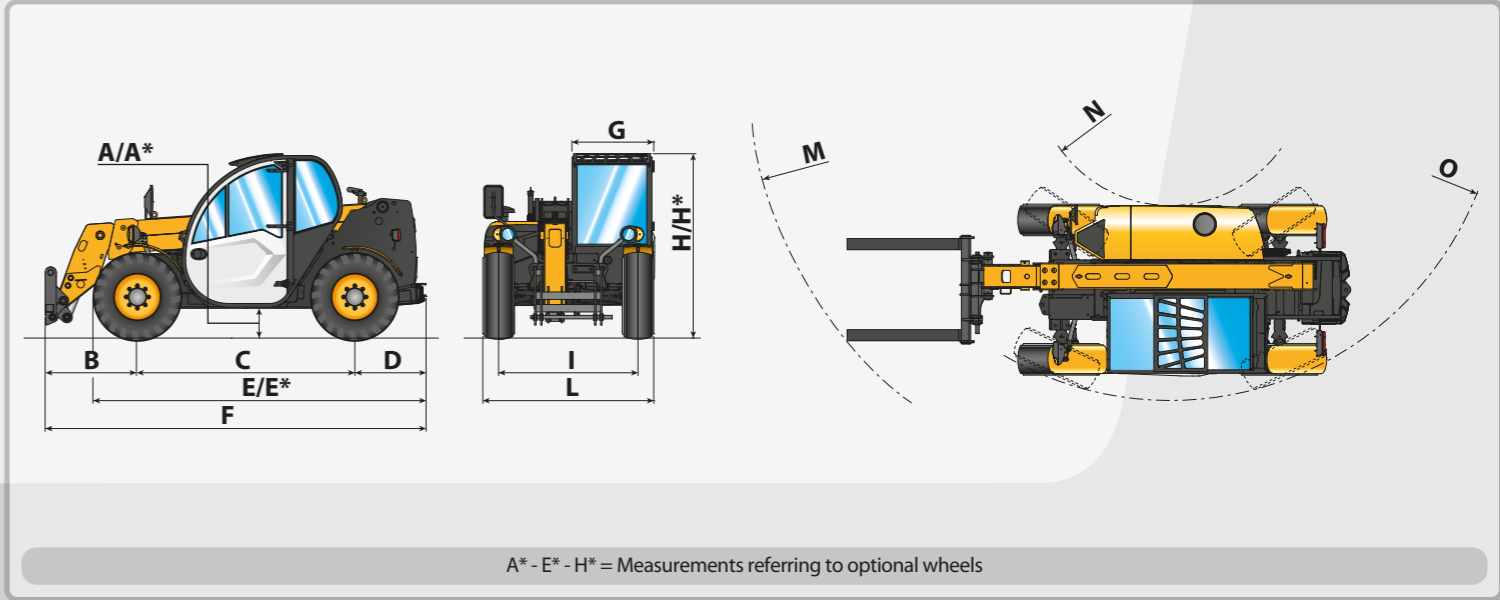
BOOM	
Times: (in seconds)	
Lifting	7,8
Descent	4,1
Extension	6,1
Retraction	3,4
Forward swivelling	3,5
Reverse swivelling	2,2

Patented compensation system

DEVICES AS PER STANDARD
Anti-tipping device with peorative movement block.
Hydraulic socket for any accessories on the boom head.
Soundproof closed cab, ROPS-FOPS approved, with heater.
Self-blocking front axle differential (limited slip 45%).

OPTIONALS AND ACCESSORIES
A/C; Webasto Heater; Digital speedometer; Water Heater; Driver's seat with pneumatic suspension; Light on boom head; Quick coupling for accessories;
Radio; Anti-theft system; Glass protection.
(For additional customizations, contact the area dealer)

HYDRAULIC PLANT	
Gear pump with capacity at max. speed (lt/1'):	80
Max operational pressure (bar):	230
Distributor control with joystick:	3 in 1



DIFFERENTIAL AXLES	
Steering axles: 2, with planetary reduction gears	
Steering types: 4 wheels / transversal / 2 wheels	
Front axle: rigid	
Back axle: oscillating	
Oil bath service braking on the front axle	
Negative action parking brake.	

TRANSMISSION	
Hydrostatic transmission with variable displacement pump.	
Hydrostatic engine with automatic variation.	
Electrical - hydraulic inversion.	
Inching pedal for controlled advancement.	

REFUELLING (Litres)	
Hydraulic plant (total)	70
Fuel tank	80

TYRES	
Tyres	12 - 16.5"
Alternative	12.5 - 18"

